

PUO[®]

PRESS

automatic coffee tamper

instruction manual

version 2.0.2

For commercial use

Dear coffee enthusiast,

First off we would like to congratulate you with your very own Puqpress and thank you for showing confidence in our product.

The Puqpress is a fully automatic tamper developed by people with a passion for perfect coffee and elegant technology.

Our specialists have spent all their knowledge and devotion in developing the ultimate tool to standardise the tamping pressure, a crucial parameter for a perfect cup of coffee.

Please investigate this manual closely so you and your customers will enjoy the Puqpress to the fullest and store the manual away safely after reading. If anything remains unclear please feel free to contact your authorized dealer or contact us directly.

We wish you all the fun and perfection with your new Puqpress!

Greetings from Amsterdam,

Barista Technology BV

Table of content

1	Safety	4
1.1	Safety instructions	4
1.2	Personel requirements	5
2	Technical data	5
3	Description	5
4	Set-up and basic adjustment	7
4.1	Adjustment of port-a-filter clamp	7
4.2	Usage location	9
4.3	Electrical installation	9
5	Operation	10
5.1	Normal operation of the tamper	10
5.2	Tamping force adjustment	10
5.3	Clean modus	11
6	Operating faults	12
7	Service	13
8	Spare parts	13
9	Warranty conditions	14

1. Safety



Read all instructions and information in this manual and other literature that might be included in the package before the coffee tamper device is used.

1.1 Safety instructions

1. The appliance is not to be used by persons (including children) with reduced physical, sensory or mental capabilities, or lack of experience and knowledge, unless they have been given supervision or instruction
2. Children being supervised not to play with the appliance
3. This appliance can be used by children aged from 8 years and above and persons with reduced physical, sensory or mental capabilities or lack of experience and knowledge if they have been given supervision or instruction concerning use of the appliance in a safe way and understand the hazards involved
4. Cleaning and user maintenance shall not be made by children without supervision
5. Do not immerse cables , plugs or the device itself into water or other liquids to avoid electric shock, or injury.
6. Always remove the electrical plug from the outlet prior to conducting maintenance or cleaning work on the tamper.
7. Do not use the device if the cord or plug is damaged or in case of damage or breakage. Any required repairs may only be conducted by authorized service personnel. For this reason, please contact a customer service repair facility or your dealer.
8. Do not make any modifications or alterations to the tamper. The manufacturer holds absolutely no liability for damages occurring from failure to observe these instructions.
9. Do not insert your hand (or other limbs) between the tamper disk and lower clamp.

1.2 Personnel requirements

No special requirements are necessary for the users of this tamper. Nevertheless it is a prerequisite that these operating instructions have been carefully read and understood and that all instructions provided are observed. In addition, safety-conscious operation is expected.

2 Technical data

Model number	1-000-0101-1, 1-000-0102-1, 1-000-0201-1, 1-000-0202-1, 1-000-0701-1, 1-000-0702-1
Voltage / Frequency	110-240 Vac 50-60 Hz
Power	65 W
Dimensions [mm]	W 160, D 200 , H300
Weight	3.9 kg (8.6lbs)
Year built	See tag plate bottom side
Tamper diameter	See tag plate bottom side

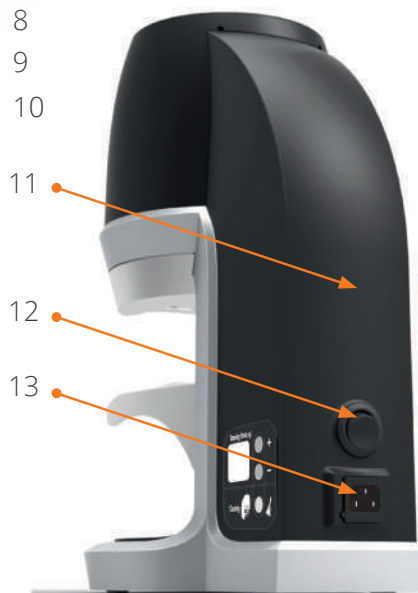
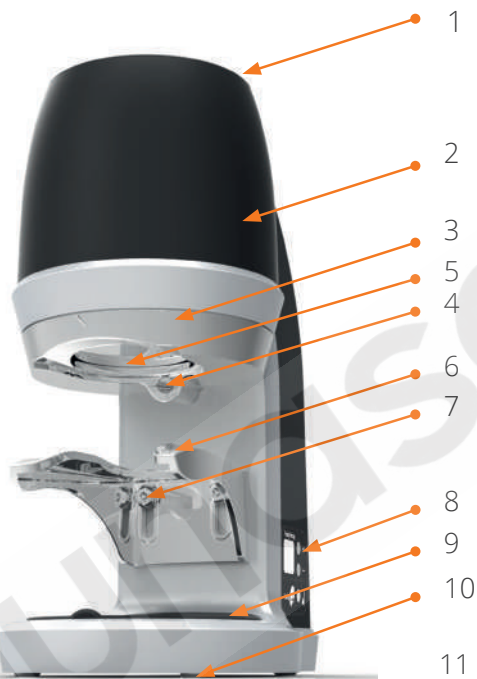
3 Description

The main components and operating elements are pictured in the illustration.

Pos.	Part name
1	Main housing – top cover

PUQ PRESS®

2	Main housing – middle cover
3	Upper clamp
4	Induction sensor
5	Tamper disk



6	Lower clamp
7	Fastening screw for port-a-filter clamp
8	Display
9	Ground coffee basket
10	Anti-slip foot
11	Main housing – back cover
12	Main switch – on/off
13	Power inlet socket

4 Set-up and basic adjustment

You have received your tamper in operating condition. Now you only need to adjust the port-a-filter clamp and connect the tamper to the power grid. Proceed as follows:

4.1 Adjustment of port-a-filter clamp

The tamper is designed so that all different port-a-filters from various espresso machines fit into the clamp (pos.3 & 6) for even and level tamping.

If the port-a-filter clamp is not correctly adjusted, even and level tamping cannot be guaranteed!

Proceed as follows for adjustment of the port-a-filter clamp:

1. Retract the power cord from the socket at the back side.
2. Lay down the tamper with the back side on a table and secure the tamper.

3. Slightly loosen the Allen key screws (pos. 7) with the provided Allen key wrench size 4mm and pull down the port-a-filter clamp.



4. Insert the port-a-filter in the clamp and push the clamp upwards until the port-a-filter is slightly clamped.



5. Refasten the Allen key screws slightly. Do not fasten the screw entirely.



6. Remove the port-a-filter and fasten the screws firmly.



7. Try to insert the port-a-filter in the clamp and check if the port-a-filter slides in the clamp easily. If the adjustment of the clamp is too loose, start again at step 4.

4.2 Usage location

Place the tamper on a level, vibration-free surface.



Never operate the tamper in moist, or even worse, in wet surroundings!

4.3 Electrical installation



A damaged power cable must be replaced immediately. Let the defective cords and plugs be replaced immediately at a customer service repair facility or your dealer.

1. Insert the power cord in the socket at the back side of the tamper.
2. Insert the plug into the corresponding grounded outlet.

3. Switch on the tamper using the main switch at the back side (pos. 12).

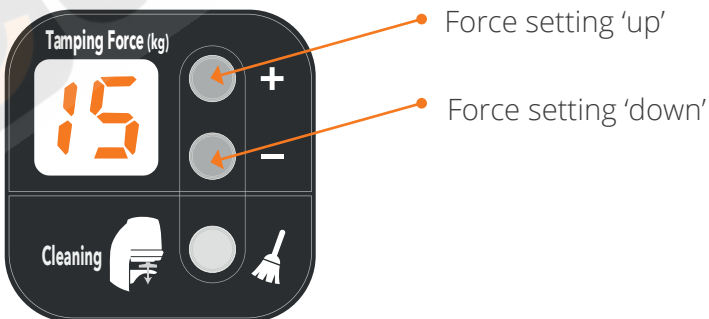
5 Operation

5.1 Normal operation of the tamper

1. Actuate the main switch on the back side of the tamper (pos. 12).
2. Insert the port-a-filter entirely in the clamp after initial levelling of ground coffee in filter basket.
3. The tamper automatically detects the metal port-a-filter using the contactless sensor (pos. 4).
4. Remove the port-a-filter after a full cycle of approx. 1.5 seconds.

5.2 Tamping force adjustment

The tamping force (kg) can be adjusted on the display at the right side. For force adjustment use the "+" or "-" button. The force setting is presented on the display in kilograms (kg).



5.3 Clean modus



It is important to clean your tamper disk (pos.5) regularly. Use a brush to clean it. Do not use your fingers / hands.

For cleaning the tamper disk proceed the following:

1. Press the clean modus button .
2. The tamper moves down in final position.
3. Clean the tamper disk using a brush or similar object.
4. Press the clean modus button again and tamper moves upwards in initial starting position.



Clean modus button

6 Operating faults

Defect	Cause	Remedy
Ground coffee sticks to the tamper disk.	The tamper disk is greasy or dirty.	Use the clean modus and clean the tamper disk.
	The tamper disk is wet.	Use the clean modus and dry the tamper disk.
The tamper does not start, the display does not work.	The main plug is not inserted.	Insert the main plug in the socket and/or (wall) outlet.
The tamping operation does not start while the clean modus is still working.	Sensor does not detect a port-a-filter because it is not inserted completely.	Re-adjust the port-a-filter clamp as is explained in section 4.1.
The tamper does not tamp level and even.	The adjustment of the clamp is too loose.	Re-adjust the port-a-filter clamp as is explained in section 4.1.
	Coffee ground is not levelled before tamping.	Level the ground coffee in filter basket before tamping.

In the case of other malfunctions or continued faults, please contact your dealer or your authorised customer service centre.

7 Service

Always pull out the main plug from the socket before carrying out maintenance or cleaning work on the tamper!

Any required repairs may only be conducted by authorized specialist personnel. For this reason, please contact a customer service repair facility or your dealer. Please observe the safety instructions under 1.1.

It is advised to conduct all maintenance and repairs by the customer service centre or your dealer.

If you have a new espresso machine with different tamper diameter, please contact your local dealer. They can provide new tamping disk and handle the procedure to interchange the disks.

8 Spare parts

Spare parts can be ordered from your customer service centre or your local dealer. To ensure quick and correct processing of your order, the following information is essential:

- 1) Serial number
- 2) Description of the part to be replaced according to section 3.

9 Warranty Conditions

1. The warranty period is 1 year from the date of purchase.
2. The warranty covers all damages that can be attributed to inferior materials or defective workmanship. The corresponding tamper will be repaired or replaced free-of-charge, with the exception of transport or freight charges. Proper transport is the responsibility of the customer so please try to avoid damages during a product return by correctly packing the device.
3. This warranty does not cover damages which have occurred through: improper usage, improper maintenance, lack of servicing, usage for purposes other than those intended, incorrect installation, breakage, natural wear or for reasons beyond our sphere of influence.
4. In order to maintain the warranty, only original spare parts and accessory parts may be used.
5. The manufacturer is in no way liable for consecutive or secondary damages.
6. The warranty does not cover costs resulting from repairs conducted by non-authorized personnel.

Notes:

eunadsa group

PUQ[®] PRESS

automatic coffee tamper

Puqpress is a product of **Barista Technology**.



BARISTA
TECHNOLOGY